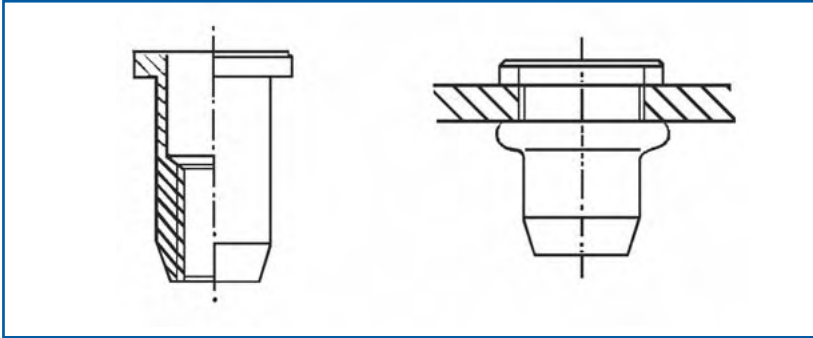
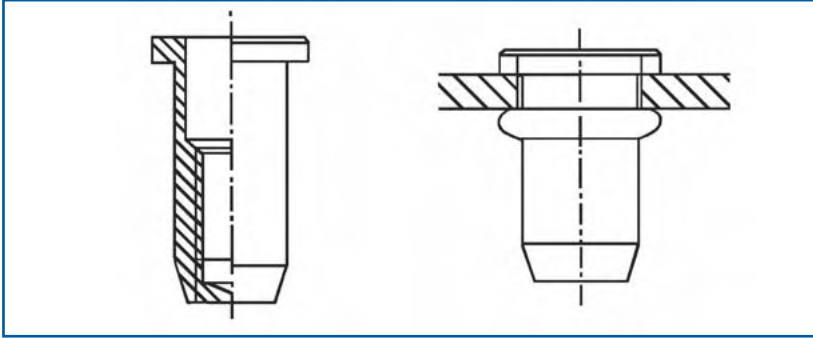


# Flat headed cylindrical “AMSSERT” embedded nuts

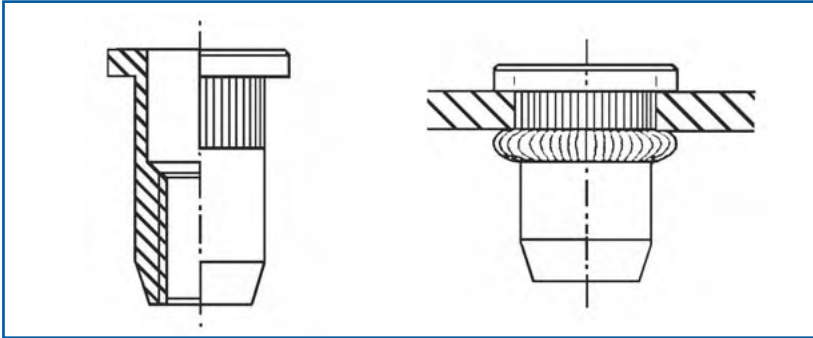
*CYLINDRICAL FLAT HEADED EMBEDDED OPEN NUT*



*CYLINDRICAL FLAT HEADED EMBEDDED CAP NUT*



*SERRATED CYLINDRICAL FLAT HEADED EMBEDDED OPEN NUT*



*SERRATED CYLINDRICAL FLAT HEADED CAP NUT*

