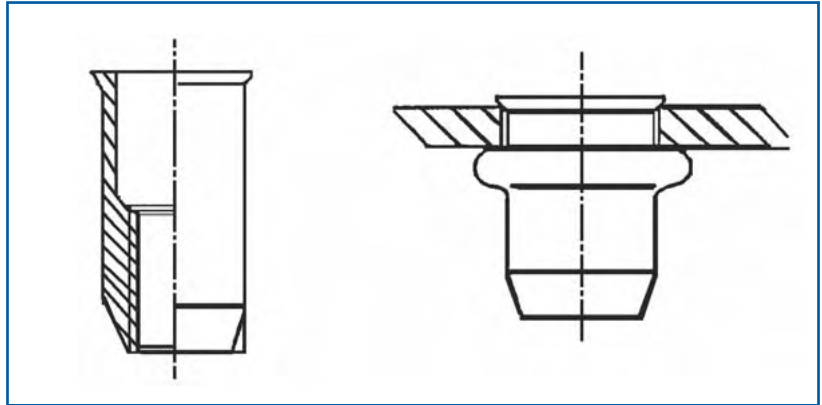
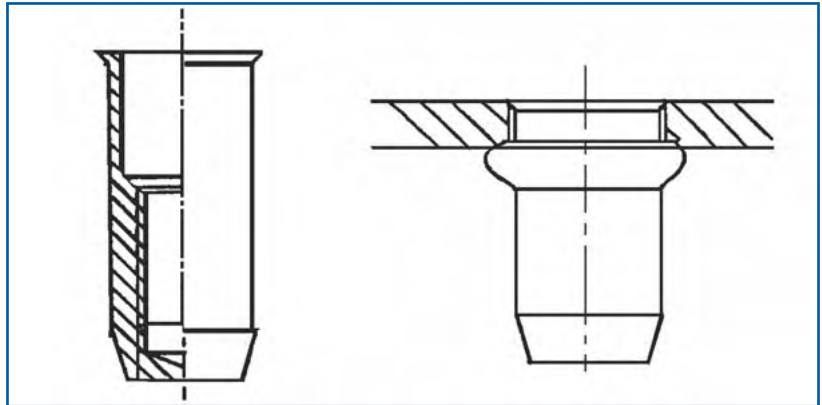


“AMSSERT” thin countersunk head embedded nuts

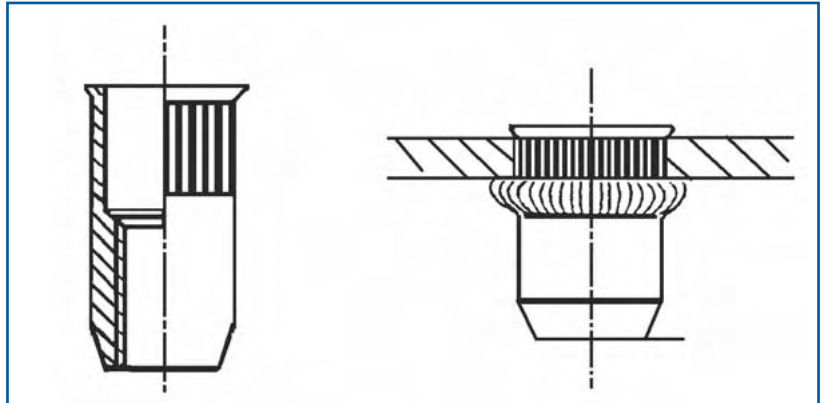
THIN CYLINDRICAL COUNTERSUNK HEAD EMBEDDED OPEN NUT



THIN CYLINDRICAL COUNTERSUNK HEAD EMBEDDED CAP NUT



SERRATED THIN CYLINDRICAL COUNTERSUNK HEAD EMBEDDED OPEN NUT



SERRATED THIN CYLINDRICAL COUNTERSUNK HEAD EMBEDDED CAP NUT

