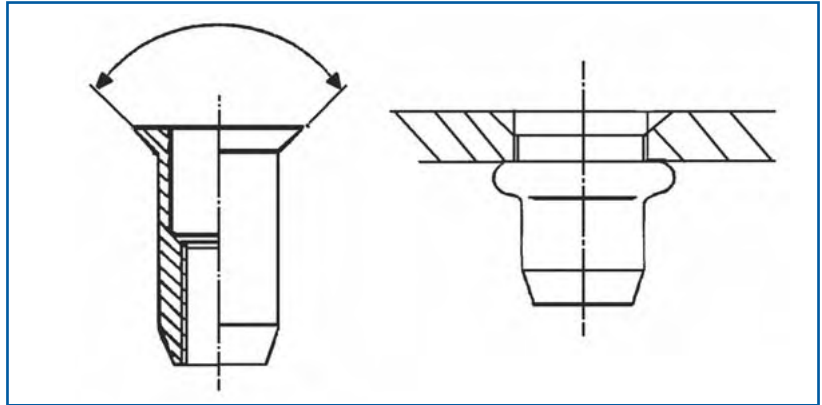
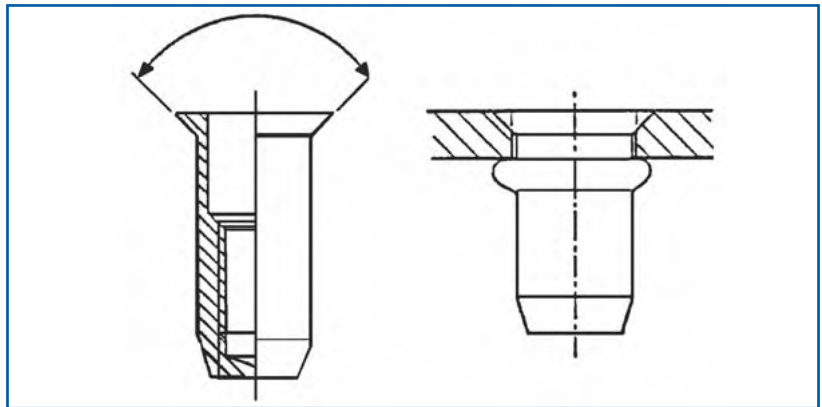


“AMSSERT” cylindrical countersunk head embedded nuts

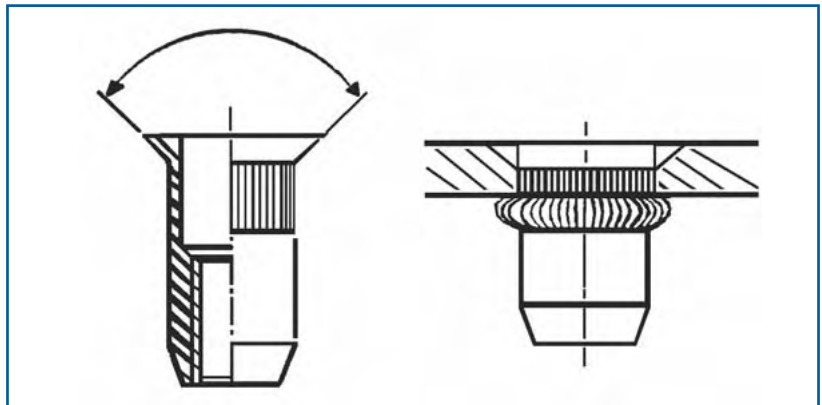
CYLINDRICAL COUNTERSUNK HEAD EMBEDDED OPEN NUT



CYLINDRICAL COUNTERSUNK HEAD EMBEDDED CAP NUT



SERRATED CYLINDRICAL COUNTERSUNK HEAD EMBEDDED OPEN NUT



SERRATED CYLINDRICAL COUNTERSUNK HEAD EMBEDDED CAP NUT

