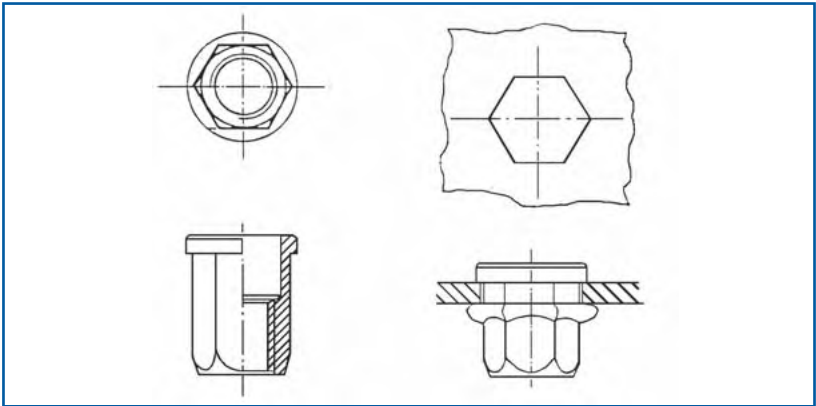
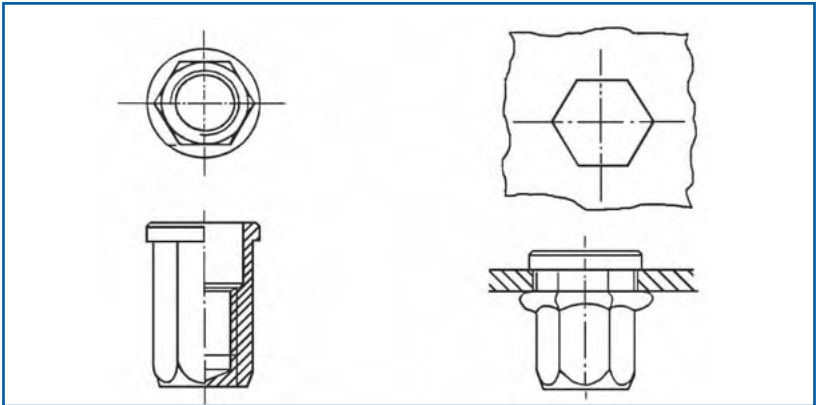


“AMSERT” hexagonal and mixed embedded nuts

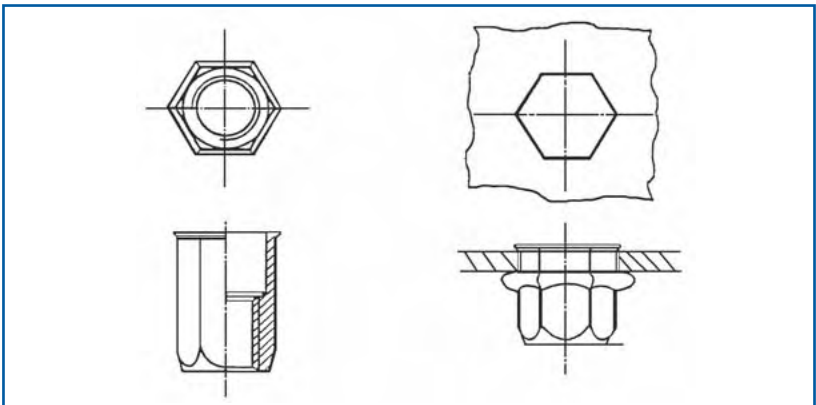
HEXAGONAL CYLINDRICAL FLAT HEAD EMBEDDED OPEN NUT



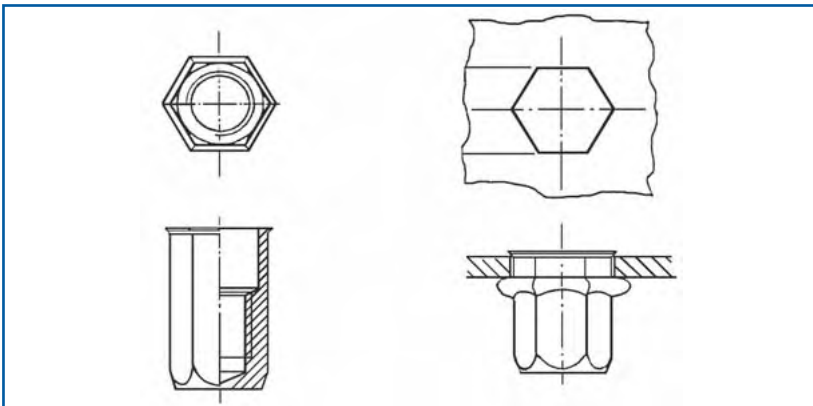
HEXAGONAL CYLINDRICAL FLAT HEAD EMBEDDED CAP NUT



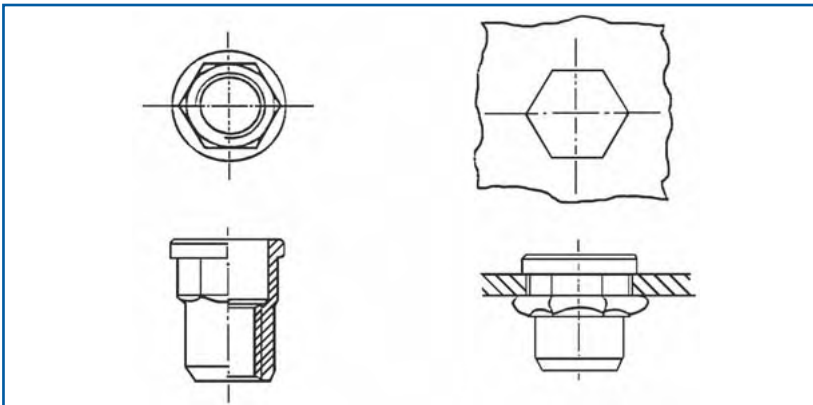
HEXAGONAL THIN COUNTERSUNK HEAD EMBEDDED OPEN NUT



HEXAGONAL THIN COUNTERSUNK HEAD EMBEDDED CAP NUT



HEXAGONAL/CYLINDRICAL MIXED FLAT HEAD EMBEDDED OPEN NUT



HEXAGONAL/CYLINDRICAL MIXED THIN COUNTERSUNK HEAD EMBEDDED OPEN NUT

