

Permanent Magnetic Lifter (ON/OFF Type)

Convenient and efficiency for makes more profit

Light weight
Less dimension
Lower price

Safety coefficient
3.5 times!



VML-2000



VML-1000



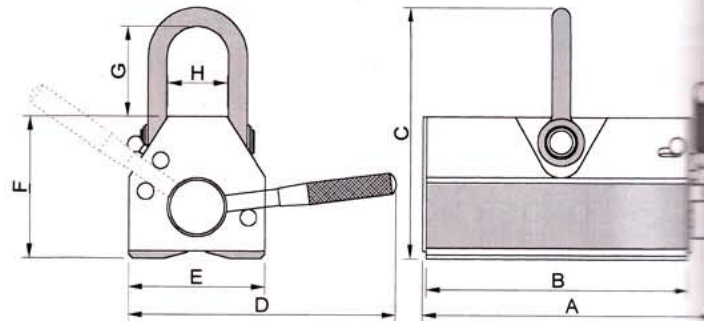
VML-100



VML-300



VML-600



FEATURES

- Each size suit for plate type & round type steel using.
- All new models with "light weight" less dimension" and "lower price".
- Made by permanent magnet, require no power supply, thus eliminating hazards due to failure wiring system as electric type.
- It features powerful magnetic force, with 3.3 times safety coefficient makes more safety in use.

OPERATIONS

With ON/OFF switch, it is very easy and convenient to operate.
See as the example pictures as below.

Notice:

Never moves the handle to "ON" side, except on an iron object of holding.

ON



OFF



DIMENSIONS

ORDER NO.	Capacity	A	B	C	D	E	F	G	H	Weight	SAFETY COEFFICIENT	COD
	kg lbs	mm inch	mm inch	mm inch	mm inch	mm inch	mm inch	mm inch	mm inch	kg lbs		
VML-100	100 220	107 4.2	84 3.3	120 4.7	125 4.9	60 2.4	71 2.8	41 1.6	30 1.2	2.5 5.5	X 3.3 times	201
VML-300	300 660	180 7.1	155 6.1	156 6.1	185 7.3	90 3.6	93 3.7	51 2.0	41 1.6	8.6 18.9		201
VML-600	600 1320	255 10	224 8.8	212 8.3	260 10.2	115 4.5	120 4.7	77 3.0	52 2.0	21 46		201
VML-1000	1000 2200	280 11	245 9.6	286 11.3	371 14.6	165 6.5	169 6.7	97 3.8	87 3.4	46 101		201
VML-2000	2000 4400	422 16.6	380 15	348 13.7	512 20.2	218 8.5	215 8.5	105 4.1	121 4.8	118 259		201